

FOR OFF ROAD/RACE USE ONLY!



Driven Racing 2014-2017 Yamaha FZ-09 Fender Eliminator Kit

Part#:DYF-05/06

INSTALLATION INSTRUCTIONS

DISASSEMBLY

1. Remove seat
 2. Remove seat lock bracket (Fig. 1).
 3. Remove 4 bolts holding the oem fender, retain spacers (Fig. 2).
 4. Disconnect OEM turn signals and rear license plate light from bike
- Off the bike remove license plate light until you are left with just the light (Fig. 3)

INSTALLATION

1. Mount OEM license plate light to brackets using OEM screws.
2. Install brackets onto bike using supplied 4 X M6 bolts.
3. Reconnect license plate light and check for proper operation.
4. Install license plate using supplied 2 x M6 bolts with washers.
5. Use blue Loctite on all bolts and screws.

NOTE: For kit # DYF-06 see turn signals installation instructions with turn signal kit (resistors must be used)

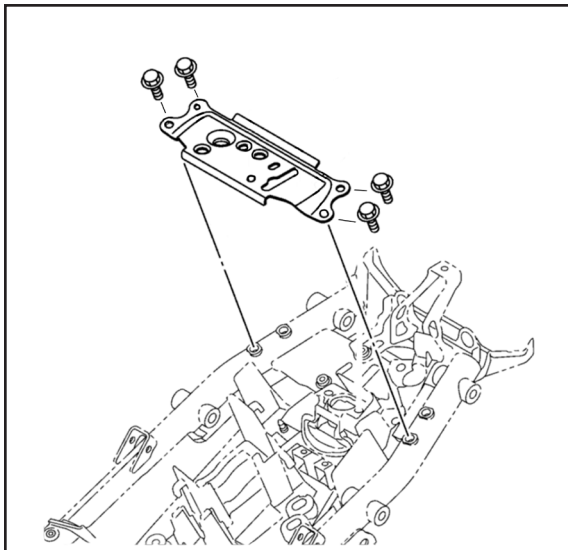


FIG. 1

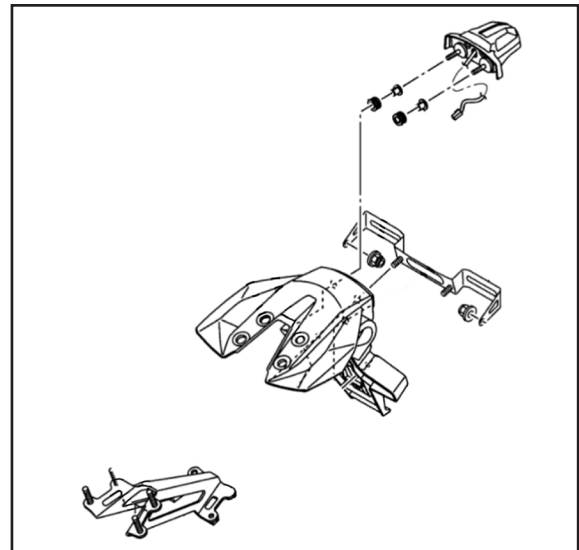


FIG. 2

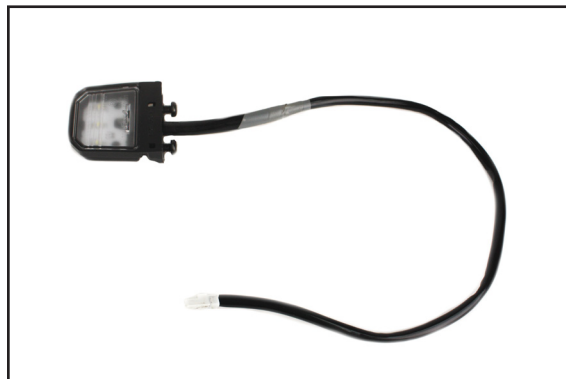


FIG. 3

THIS PRODUCT IS INTENDED TO BE INSTALLED BY A CERTIFIED TECHNICIAN*

