

FOR OFF ROAD/RACE USE ONLY!



Driven Racing 2017 Suzuki GSXR 1000/R Fender Eliminator Kit

Part#: DSF-03/DSF-04

INSTALLATION INSTRUCTIONS

DISASSEMBLY

1. Remove frame cover (see fig. 1)
2. Remove passenger seat, remove rider seat
3. Remove main frame covers (see fig. 2)
4. Remove entire fender license plate assembly removing 4 M6 bolts on subframe (see fig. 3)
5. Disconnect all electric wiring to license plate frame bracket and remove from bike

TOOLS REQUIRED

- 4mm Allen Key
- 5mm Allen Key
- Flat screwdriver
- 10mm Wrench
- Blue Loctite

INSTALLATION

1. Install Driven Racing fender eliminator bracket on to bike using 2 M6 bolts (supplied)
2. Re-install main frame covers
3. Re-install rider seat & passenger seat and re-install frame covers

NOTE: For kit # DSF-04 see installation instructions with turn signal kit (resistors must be used)

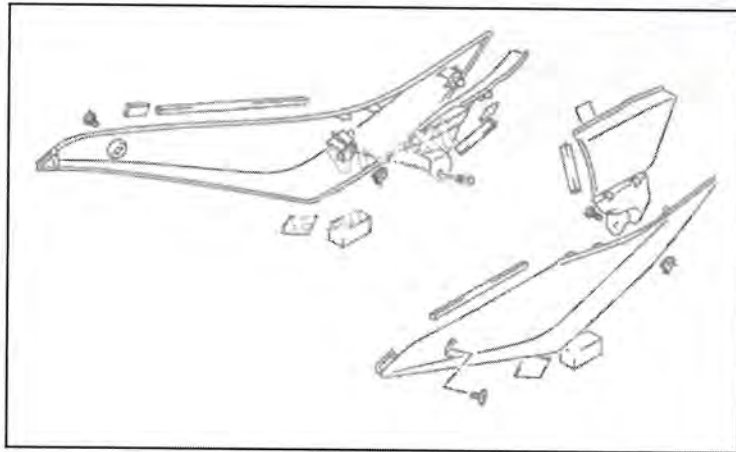


Fig.1

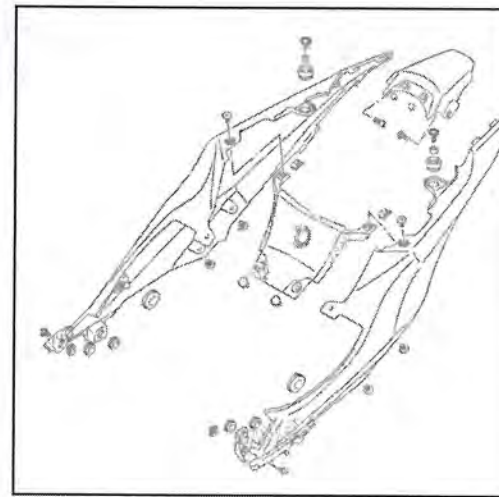


Fig. 2

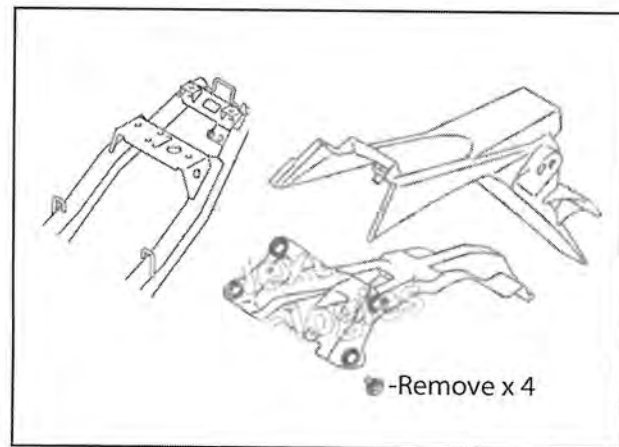


Fig. 3

THIS PRODUCT IS INTENDED TO BE INSTALLED BY A CERTIFIED TECHNICIAN*

GSXR 1000 Fender Eliminator

