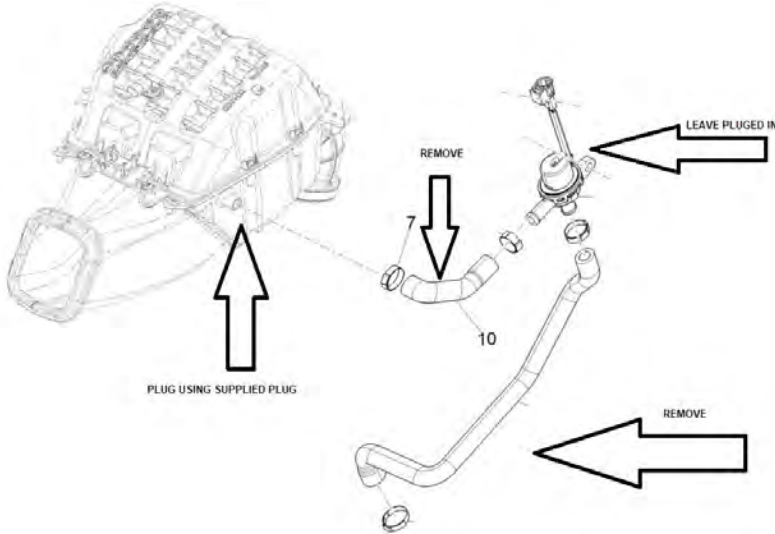


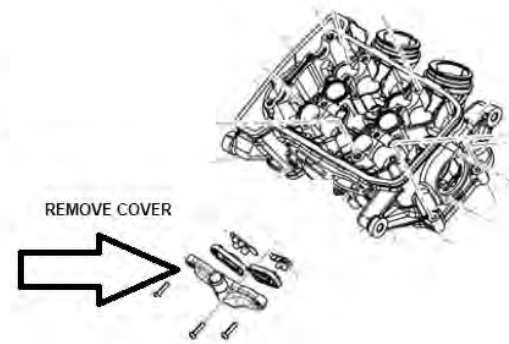


24-25 Aprilia RS 457 BLOCKOFF PLATE

1. Remove the hoses from the factory reed cover
2. Remove oem block off cover.
3. Install Driven Racing plate using oem screws.
4. Remove hose from air box and plug with supplied rubber plug.
5. Leave pump plugged to electrical harness

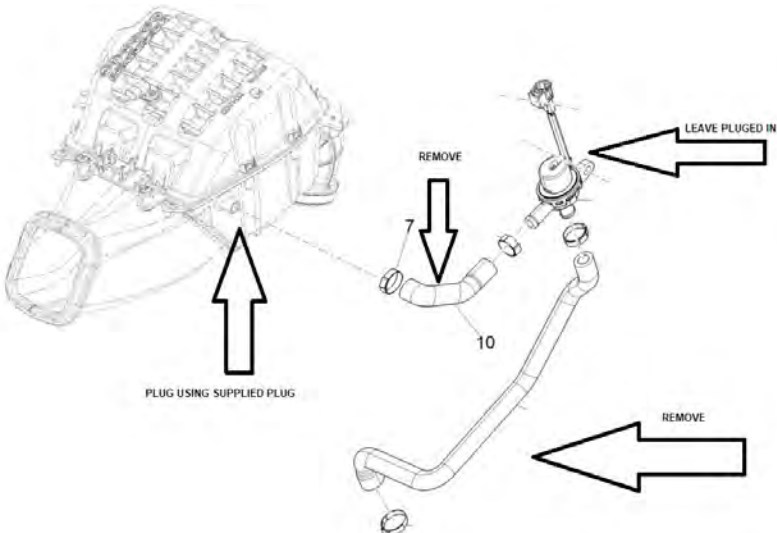


FOR OFF ROAD USE ONLY



24-25 Aprilia RS 457 BLOCKOFF PLATE

1. Remove the hoses from the factory reed cover
2. Remove oem block off cover
3. Install Driven Racing plate using oem screws.
4. Remove hose from air box and plug with supplied rubber plug.
5. Leave pump plugged to electrical harness



FOR OFF ROAD USE ONLY

