

**Driven '09-18 kawasaki ZX 6R All
FENDER ELIMINATOR**

Part# DKZ-040/041

INSTALLATION INSTRUCTIONS

Removal

1. Place bike on flat surface or a rear stand
2. Remove rear passenger seat.
3. Disconnect wiring from rear fender
4. Remove entire rear fender assembly see (Fig.1)

Tools Required

- 8mm Open End Wrench
 - 5mm Hex Key
 - 6mm Hex Key
 - 8mm Hex Key
 - Needle Nose Pliers
 - Screw Driver
 - Blue Loctite
 - Impact Gun
-

Installation

1. Install fender eliminator using (4) M6 screws and nuts provided.
2. Reconnect brake light wire and check for proper operation.
3. Install license plate frame.

NOTE:

FOR KITS WITH TURN SIGNALS SEE INSTALLATION INSTRUCTIONS PROVIDED IN EVERY TURN SIGNAL KIT .

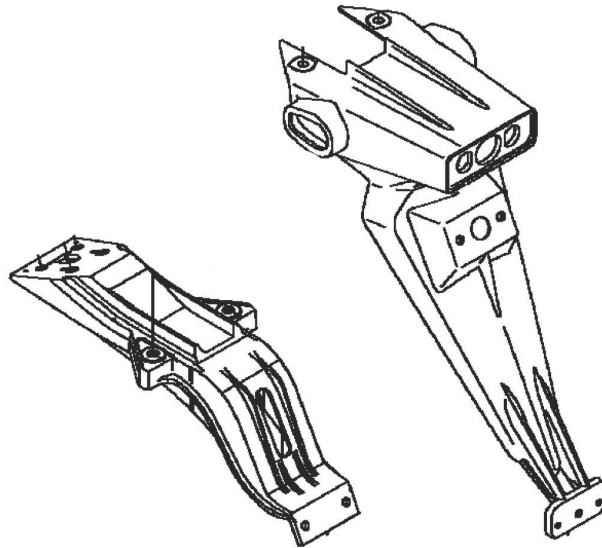


Fig.1