

FOR OFF ROAD/RACE USE ONLY!



Driven Fender Eliminator kit

Part # DBM-FE-03/04

Installation Instructions

Removal

1. Remove rear passenger seat
2. Remove frame side covers (to gain access to turn signal wiring)
3. Remove mounting bolts for rear license plate assembly (fig. 1)
4. Remove turn signals (retain stock hardware)
5. Locate license plate light and disconnect

Tools Required

- 8mm Open End Wrench
- 5mm Hex Key
- 6mm Hex Key
- 8mm Hex Key
- Needle Nose Pliers
- Screw Driver
- Blue Loctite
- Impact Gun

THE USE OF BLUE LOCTITE IS REQUIRED ON ALL MOUNTING HARDWARE!

Installation

Installation

1. Install fender eliminator using supplied M5 bolts (use blue Loctite)
2. Connect turn signals (brake light) to mount using stock fasteners
3. Using supplied crimp connector connect license plate wiring to stock license plate light wiring (FE-04 model only)

TORQUE VALUES

- M5 = 6FT/LBS
- M6 = 10FT/LBS
- M8 = 25FT/LBS
- M10 = 45FT/LBS

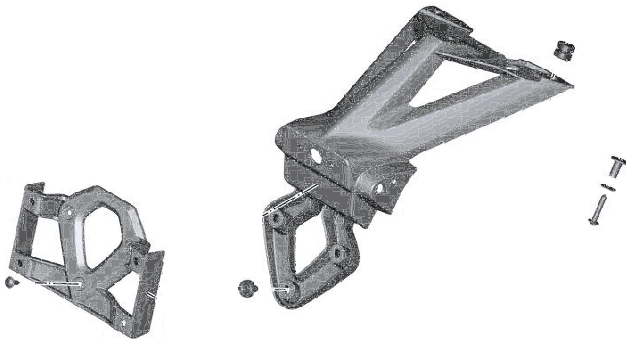


Fig. 1

Note. Inspect brake light turn signals and license plate light for proper operation prior to riding.

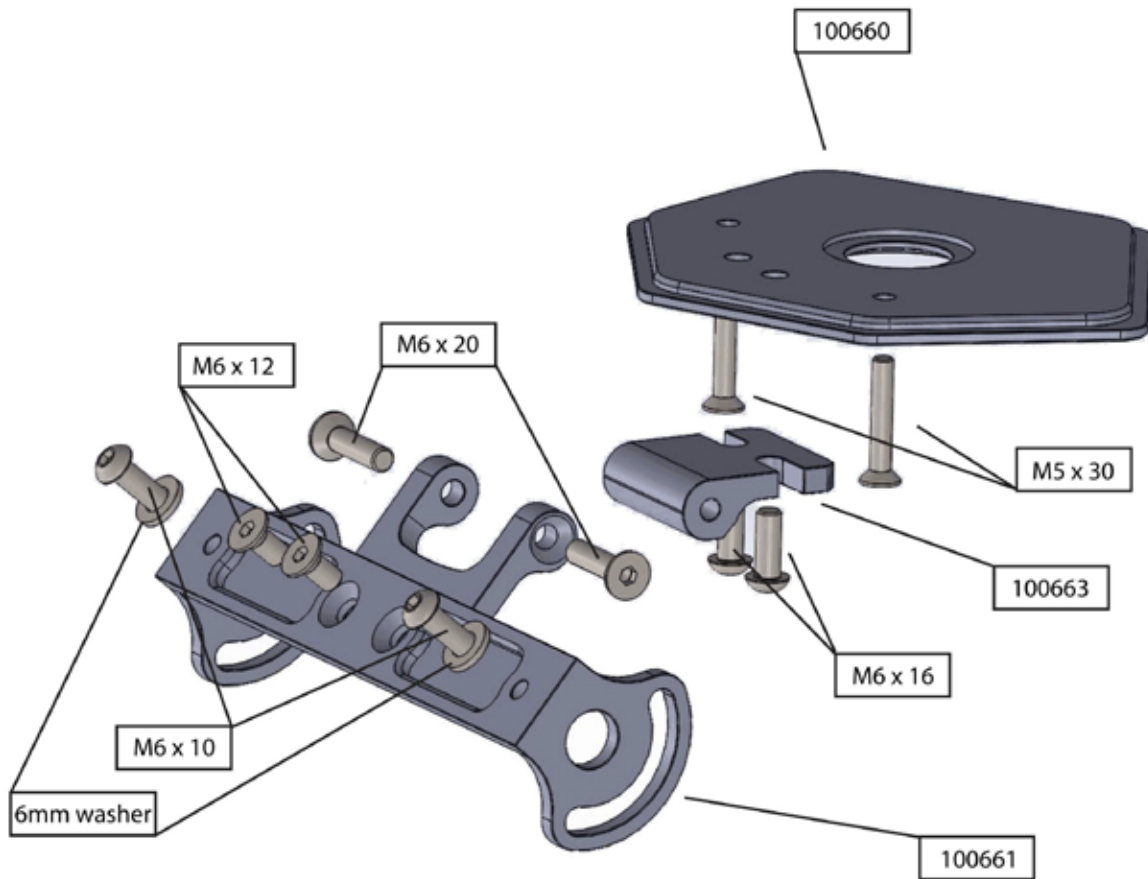
Make sure to tighten all bolts and nuts to proper spec and use Loctite on all fasteners

THIS PRODUCT IS INTENDED TO BE INSTALLED BY A CERTIFIED TECHNICIAN*

FOR OFF ROAD/RACE USE ONLY!



DRIVEN PERFORMANCE PRODUCTS



THIS PRODUCT IS INTENDED TO BE INSTALLED BY A CERTIFIED TECHNICIAN*